



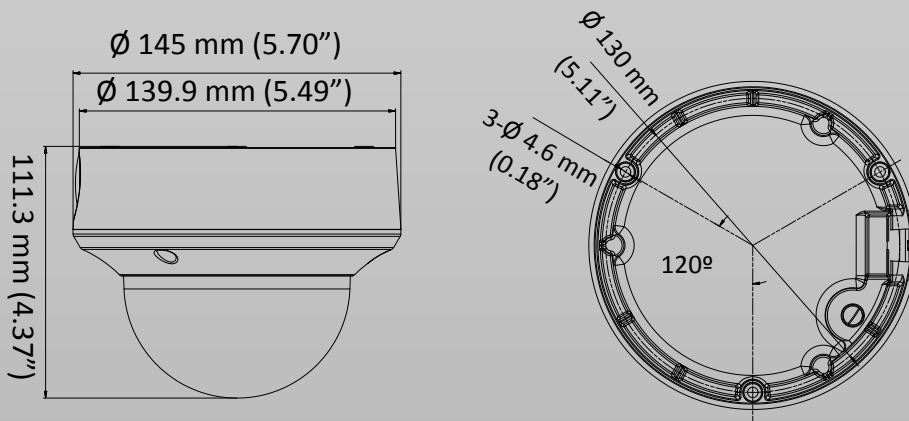
PL - AHD17D

5MP AHD Dome Camera

FEATURES

- 5 MP high performance CMOS
- 2560 x 1944 resolution
- 2.7 mm to 13.5 mm motorized varifocal lens
- EXIR 2.0, smart IR, up to 40 m IR distance
- OSD menu, 2D DNR, DWDR
- 4 in 1 video output (switchable TVI/AHD/CVI/CVBS)
- IP67, IK10

DIMENSION



ITEM	PL-AHD17D
CAMERA	
Image Sensor	5 MP CMOS image sensor
Resolution	2560 (H) x 1944 (V)
Min. Illumination	Color: 0.01 Lux @ (F1.2, AGC ON), 0 Lux with IR
Shutter Time	PAL: 1/25 s to 1/50,000 s
	NTSC: 1/30 s to 1/50,000 s
Lens	2.7 mm to 13.5 mm motorized varifocal lens
Horizontal Field of View	95.7° to 29.1
Lens Mount	ø 14
Day & Night	IR cut filter
Angle Adjustment	Pan: 0° to 355°; Tilt: 0° to 75°; Rotate: 0° to 355°
Synchronization	Internal Synchronization
Frame Rate	PAL: 5 MP@20fps, 4 MP@25fps, 1080p@25fps
	NTCS: 5 MP@20fps, 4 MP@30fps, 1080p@30fps
MENU	
AGC	Support
D/N Mode	Auto/Color/BW (Black and White)
White Balance	ATW/MWB
BLC	Support
DWDR	Support
Functions	Brightness, Sharpness, DNR, Mirror, Smart IR
INTERFACE	
Video Output	1 HD Analog output
Switch Button	TVI/AHD/CVI/CVBS
GENERAL	
Operating Condition	-40°C to 60°C (-40°F to 140°F), humidity: 90% or less (non-condensation)
Power Supply	12 VDC ±15%, 24 VAC ±15%
Power Consumption	Max. 4.4 W
Protection Level	IP67, IK10
Material	Metal
IR Range	Up to 40 m
Communication	Up to coax, Protocol: TVI Output
Dimensions	Ø 145 mm x 111.3 mm (Ø 5.70" x 4.37")
Weight	Approx. 815 g (1.80 lb.)

(*) Must use regulated & specified power supply.